



## FEATURES

- Gooseneck and dolly combination
- Telescoping schnabel gooseneck for various towers
- XL Cheater Gooseneck offers many kingpin and swing clearance settings
- Rear self-steering axles reduce turning radius
- Air supply for tools in the center of the dolly
- Diamond-plate aluminum wheel covers



trailer behind the truck at all times: the



## TOWER-SPECIFIC TRANSPORT

The XL TowerMate can haul tower sections with 14-foot diameters while maintaining an overall height under 16 feet. Load cradles in the center with five strap down points enable safe securement of the tower section to the dolly, while the dropped front axles provide increased clearance.

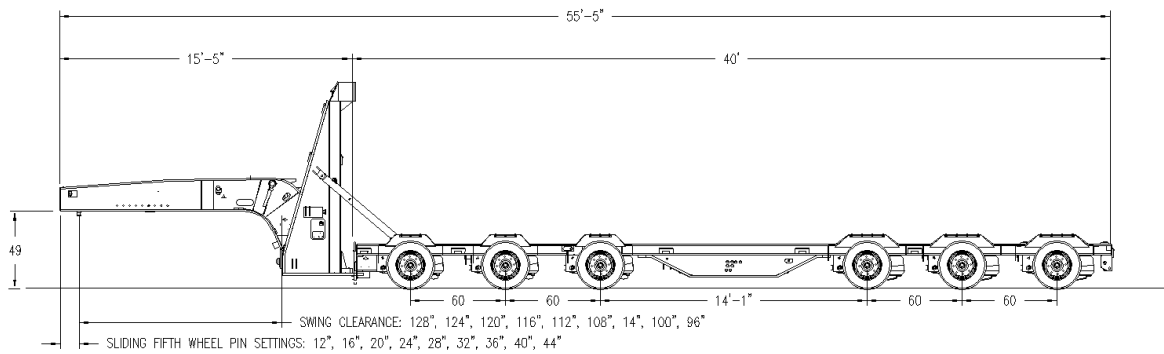
## XL CHEATER GOOSENECK

The XL Cheater Gooseneck's unique design features a sliding fifth-wheel plate, providing the flexibility needed for in-position loading of tower sections. The 32-foot telescoping schnabel accepts all sizes of tower pieces, and the flange bolt plate attaches any brand or size of tower safely and securely to the gooseneck.

DESIGNED FOR YOU. BUILT TO LAST.

[www.xlspecializedtrailer.com](http://www.xlspecializedtrailer.com) | 877.283.4852

# XL TOWERMATE II SPECS



## CAPACITY

capacity: 140,000 lb overall

## OVERALL LENGTH & WIDTH

overall length: 55' 5"

overall width: 11' 11 3/4"

## GOOSENECK

15' 5" XL Cheater gooseneck

49" 5th wheel height with 35" travel

7 ride height positions

king pin settings: 12" 16" 20" 24" 28"

32" 36" 40" 44"

swing clearance: 128" 124" 120"

116" 112" 108" 104" 100" 96"

13HP self-contained power unit

32" telescoping schnabel

tower flange bolt plate

## REAR DECK

T-1 flange, 80K web

5 load cradles

4 bent d-rings per side

5 strapping points per side

20" extended bumper with tower

flange clip, tower flange ring

oversize load sign

diamond plate aluminum

wheel covers

air supply for tools on center of dolly

both sides

## SUSPENSION

25,000 lb air ride

manual dump valve

shut off valve for each air bag

## AXLES

(6) 25,000 lb nominal

119 1/2" tracking

front 3 axles straight (drop axles

with chain up and dump valve)

rear 3 axles self-steering

60" axle spacing with 14'1" spread

between front and rear groups

hub pilot, outboard drums

12 1/4" x 7 1/2" brakes

spring brakes on 3 axles

limit chains on all axles

4-way plug

## WHEELS & TIRES

6.75 x 17.5 steel rims

245 / 70R / 17.5 tires

## LIGHTING

12V sealed Grote harness

rubber mounted LED lights

2 tail light package with

aluminum cover

2 clearance lights per side

1 mid-turn light per side

7 pole electric socket

1 pair beacon lights

## PAINT

black, IH red, CAT yellow

air & electric done after paint

## PAINT OPTIONS

non-standard paint colors

non-standard metallic paint

## WARRANTY

5 year structural

1 year paint

## AVAILABLE MODELS

XL Towermate I

XL Towermate II

XL Towermate III

DESIGNED FOR YOU. BUILT TO LAST.

www.xlspecializedtrailer.com | 877.283.4852