

RANCO

by WESTERN

888-424-4004 | sales@ranco.com



RANCO STEEL MINI BOTTOM DUMP TRAILER



DIMENSIONS:

- 13,400lbs. Weight
- 24 Cubic Yards Capacity

UNDERCARRIAGE:

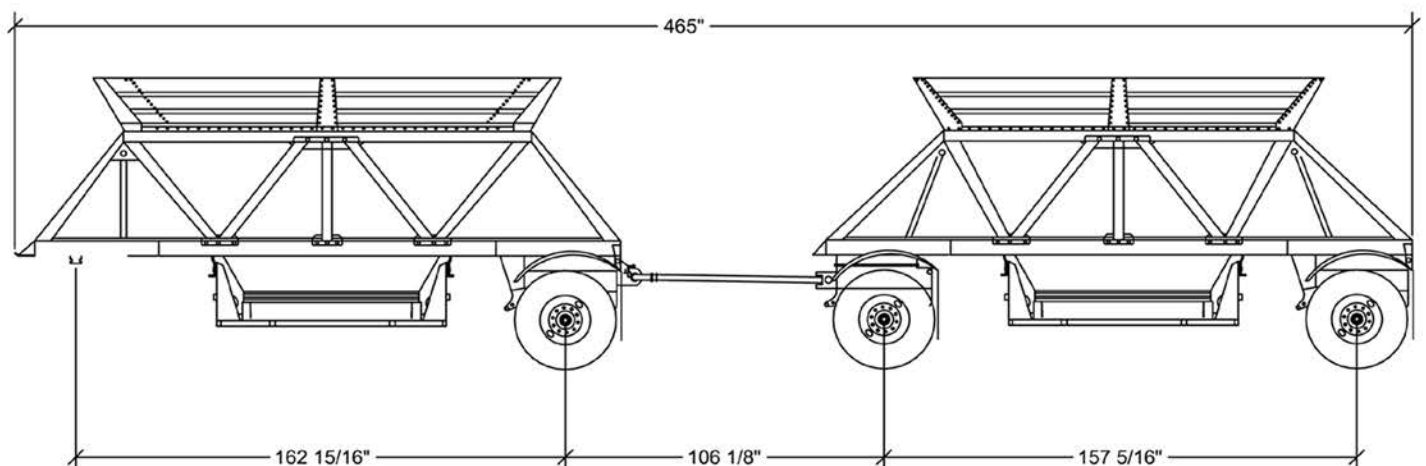
- Abs Braking System, 16.5"X7" S-Cam Type, Auto Slack Adjusters
- 5" Diameter Axles with Oil Seals, 22,500lbs. Capacity, 71.5" Track
- 11 X 22.5 Wheels On 11 X 24.5 Steel Disc
- Three Leaf Springs Suspension, 36" German Turntable Double Bearing
- Centrifuge Outboard Drums
- Dot Approved Plumbing System

GATES & HOPPER:

- Versa Valve Gate Controls on Left, Electrically Actuated from Truck Cab
- Gate Hoses Are 1/2" with One Quick Release Valve Per Cylinder
- Steel Welded Gate Seals on Exterior of Gates
- Windrow Type Gates; Gate End 10 Gauge Hi-Tensile, Gate Bottom 10 Gauge Hi-Tensile With 4"X4" Reinforcement Twin Composite Barrel Air Cylinder Actuators, Adjustable Chains Front and Rear

FEATURES:

- DOT Approved 12 Volt Sealed Lighting System
- Polyurethane Paint
- 12 Gauge Hi-Tensile Steel Skins
- 14 Gauge Steel Shedplates, Welded On
- 2"X10" Wood Bang Boards Bolted On
- Steel Weld-on Turntable Fenders
- 87" Long Drawbar, Square Tubing, Cast Steel Hinged Bracket, Rubber Bused, 2.375" Id Swivel Type Eyebolt with Safety Cable



sales@ranco.com | (888) 424-4004 | www.ranco.com