

RANCO

by WESTERN

888-424-4004 | sales@ranco.com



RANCO SUPER 12 ELLIPTICAL END DUMP



DIMENSIONS

- 28 yd Capacity, 31 yd at Bangboards
- 26' OAL, 24' Tub Length
- 54" High Wall
- 96" Wide Box, 102" Wide Axles

FRAME

- 16" – 26# Structural Beam
- 8" DIA, 5 Stage Single Acting Hoist, 220" Stroke
- Steel Mounted Drop Legs
- All Joints with Greasable Fittings
- Metering Chains Mounted Center Rear Hook Into Center of Rear Gate
- Full DOT LED Sealed Lights

DUMP BODY

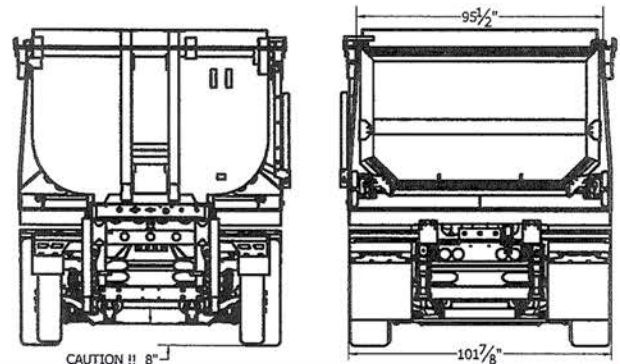
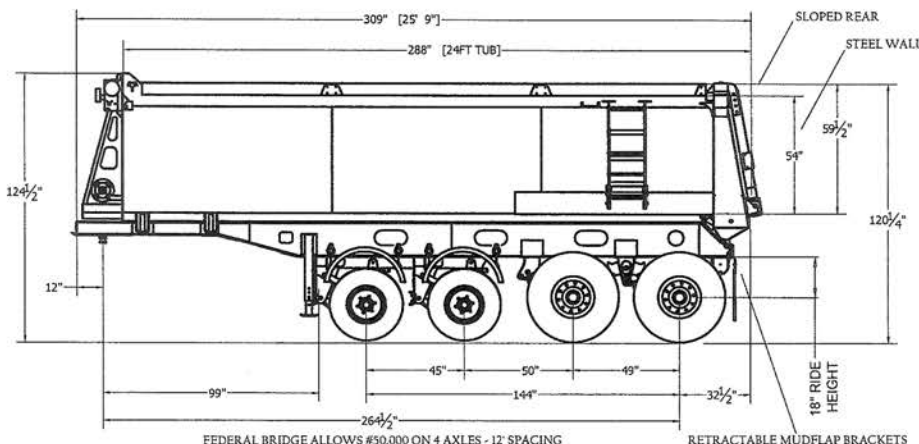
- 3/16" AR400 Single Sheet Rolled Elliptical Panels
- 3/16 AR400 Nose
- 10 Degree Rear Slope
- 6" Bangboards Standard
- All Welds Full Penetration, 70K Wire
- Gravity Rear Gate, with Air
- Cylinder Gate Latches
- Rear Gate 3/16" Steel Plate Gate
- Front Access Ladder
- Spreader Apron:
- Tarp

UNDERCARRIAGE

- T-1 Steel Pickup Plate Coupler, with Bushing Saddles
- Air Ride Suspension, All Axles
- Aluminum Wheels
- Rear Tires: 11R22.5
- Middle Tires: 9R17.5
- 16 1/2 x 7 Brakes with Spring
- Parking, Auto Slacks and Wabco
- 4S-2M ABS System
- Anti Sail Mud Flaps

AVAILABLE OPTIONS

- Watson Chalin 8K Airride
- Steerable Front Two
- Flat Back High Lift Gate
- Shovel Holder & Flag Holder



sales@ranco.com | (888) 424-4004 | www.ranco.com