

RANCO

by WESTERN

888-424-4004 | sales@ranco.com



RANCO LIGHT WEIGHT BOTTOM DUMP TRAIN



EST. 42 TON PAYLOAD

SPECIFICATIONS

- 81' OAL Length
- 102" Wide
- 129,000# Gross
- 38 Cu Yd Capacity w/Side Boards
- 40' 3-Axle Lead Model LW21-40-3
- 24' 4-Axle Pup Model 14-24-4P

UNDERCARRIAGE

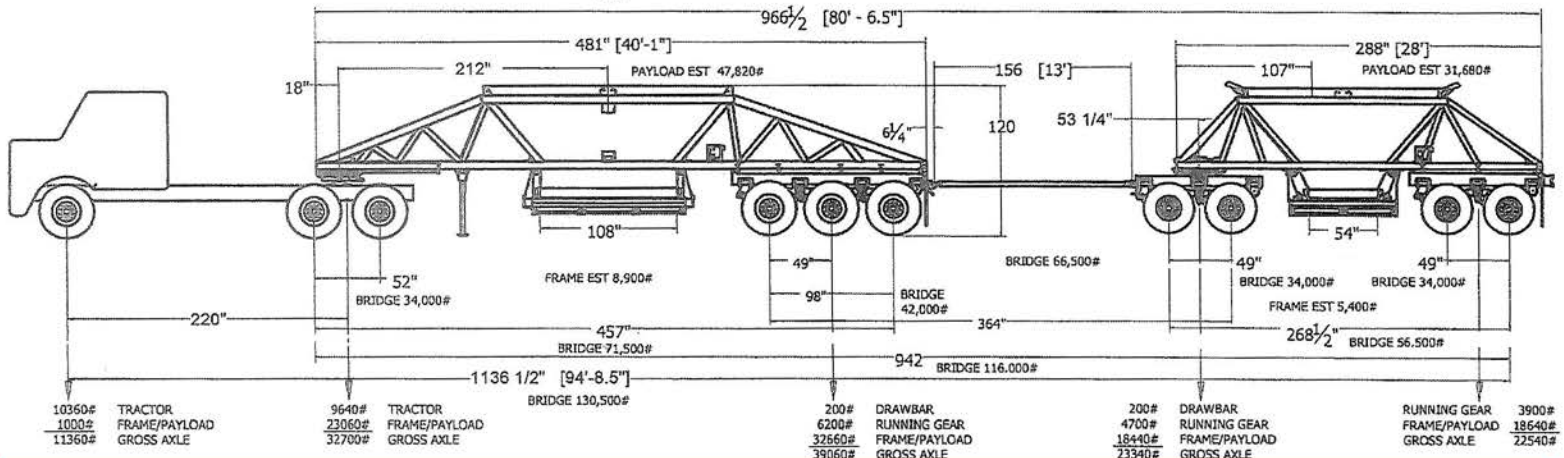
- Spring Suspension
- 385/65R22.5 Tires
- Aluminum Wheels

GATES & HOPPER

- AR250 Hopper Construction
- Bolt on Front and Rear Fiberglass Fenders
- Bolt on Front and Rear Fiberglass Shed Plates On Pup
- 12" Aluminum Side Boards
- 18" Aluminum Wings
- Versa, Gate Control Valves
- 60 & 40 Gal Rubber Mounted Air Tanks,
- Lower Hopper Extensions & Gate Side Seals
- (2) Quick Exhaust Valves

FEATURES

- Bolt-On Push Block
- Rubber Bushed Oscillating Kingpin
- Front & Rear Fenders
- Drop Legs
- Turntable Dolly
- Hinged Drawbar
- LED Lighting
- Wiring Enclosed in Trailer Frame
- Painted RANCO White



sales@ranco.com | (888) 424-4004 | www.ranco.com